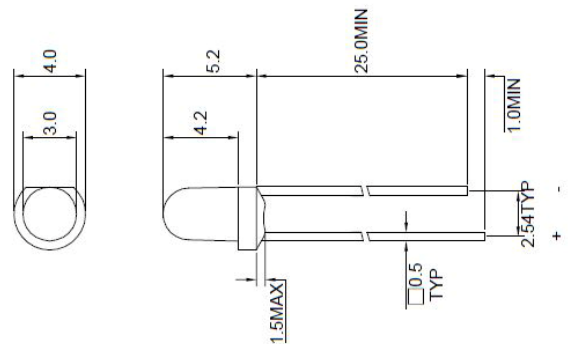


## Selector Guide

### Standard Through Hole LED lamps

We offer an extensive range of cost effective, 3mm and 5mm low power, through-hole LED emitters in a choice of wavelengths for a wide range of applications

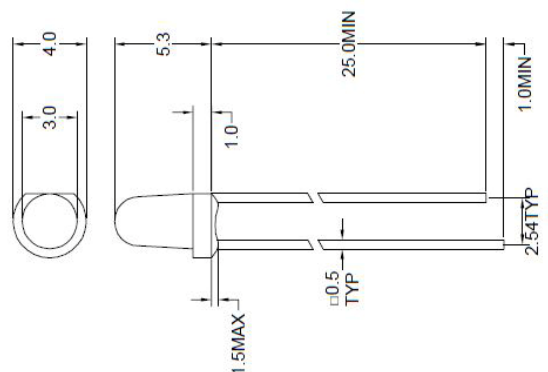
#### 3mm Round T1



Part No.	Chip			Lens colour	Vf		Iv(mcd)@20mA		Viewing Angle 2θ ½
	Material	Emitted colour	λ D(nm) λP(nm)		Min	Max	Min	Max	
LHRF2040	AlGaInP	Red	630	Red Diffused	1.5	2.4	45	450	36
L8UG2040	AlGaInP	Green	574	Green Diffused	1.7	2.6	65	120	36
LDGM2040	InGaN	Green	525	Green Diffused	3.5	4.0	900	1500	34
LVY2040/A-PF	AllnGaP	Yellow	590	Yellow Diffused	1.6	2.7	120	220	36
LHY2040/A-PF	AllnGaP	Yellow	595	Yellow Diffused	1.7	2.6	220	450	36
LDBK2040/A	InGaN	Blue	470	Blue Diffused	3.5	4.0	700	900	36

Part No.	Chip			Lens colour	Vf		Iv(mcd)@20mA		Viewing Angle 2θ ½
	Material	Emitted colour	λ D(nm) λP(nm)		Min	Max	Min	Max	
LHRF2043	AlGaInP	Red	630	Red Clear	1.6	2.7	550	900	30
L9UG2043	AlGaInP	Green	574	Green Clear	1.6	2.7	220	450	30
LHY2043/A-PF	AllnGaP	Yellow	590	Yellow Clear	1.6	2.7	350	1800	30
LDBK2043/A	InGaN	Blue	470	Blue Clear	3.4	4.0	1100	3400	30

#### 3mm Round T1

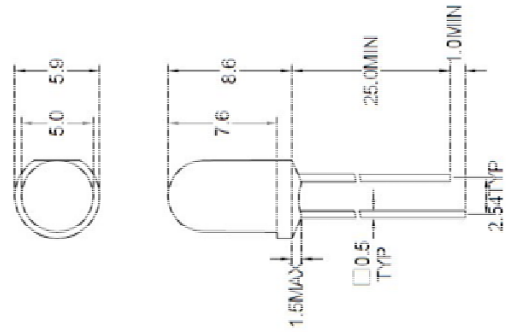


Part No.	Chip			Lens colour	Vf		Iv(mcd)@20mA		Viewing Angle 2θ ½
	Material	Emitted colour	λ D(nm) λP(nm)		Min	Max	Min	Max	
L8SRF12243	AllnGaP	Red	630	Red Clear	1.7	2.6			20
L8HRF12243	AllnGaP	Red	622	Red Clear	1.7	2.6	550	900	20
LHRF12243	AlGaInP	Red	630	Red Clear	1.7	2.6	550	900	20
L8UG12243-PF	AlGaInP	Green	574	Green Clear	1.7	2.6	900	1500	20
LVY12243A-PF	AlGaInP	Yellow	595	Yellow Clear	1.7	2.6	550	900	20

## Selector Guide

### Standard Through Hole LED lamps

#### 5mm Round T13/4



Part No.	Chip			Lens colour	Vf		Iv(mcd)@20mA		Viewing Angle 2θ 1/2
	Material	Emitted colour	λ D(nm) λP(nm)		Min	Max	Min	Max	
L8VR3330/A	AlInGaP	Red	640	Red Diffused	1.5	2.4	120	300	28
L8HRF3330/A	AlInGaP	Red	622	Red Diffused	1.5	2.4	300	450	28
L9UG3333/A	AlGaInP	Green	574	Green Diffused	1.7	2.6	700	1500	20
LVY3330/A	AlGaInP	Yellow	590	Yellow Diffused	1.7	2.6	220	350	36
LHY3330/A	AlGaInP	Yellow	595	Yellow Diffused	1.7	2.6	300	350	36
LDBK3330/A	InGaN	Blue	470	Yellow Diffused	3.5	4.0	350	550	26
LWK3332/A	InGaN	White	-	White Diffused	3.5	4.0	700	1100	34

Part No.	Chip			Lens colour	Vf		Iv(mcd)@20mA		Viewing Angle 2θ 1/2
	Material	Emitted colour	λ D(nm) λP(nm)		Min	Max	Min	Max	
LSRF3333/A	AlInGaP	Red	630	Red Clear	1.5	2.4	450	700	20
LHRF3333/A	AlInGaP	Red	630	Red Clear	1.5	2.4	2200	5000	20
LUR3333H/A	AlGaInP	Red	630	Red Clear	1.5	2.4	11500	21000	17
L9UG3333/A	AlGaInP	Green	574	Green Clear	1.7	2.6	700	1500	20
LDGM3333/A	InGaN	Green	525	Green Clear	3.5	4.0	7700	21000	12
LVY3333/A	AlGaInP	Yellow	590	Yellow Clear	1.7	2.6	900	2200	20
LHY3333/A	AlGaInP	Yellow	595	Yellow Clear	1.7	2.6	1100	2200	20
LUY3333/H0/A	AlGaInP	Yellow	590	Yellow Clear	1.7	2.6	1100	1800	38
LUY3333H/A	AlGaInP	Yellow	590	Yellow Clear	1.7	2.6	9500	17000	16
LDBK3333/A	InGaN	Blue	470	Blue Clear	3.5	4.0	2700	9500	13
LDBK3333/H0/A	InGaN	Blue	470	Blue Clear	3.5	4.0	1500	2700	26
LDBK13743/A	InGaN	Blue	470	Blue Clear	3.5	4.0	1100	1800	42
LWK3333/A	InGaN	White	-	White Clear	3.5	4.0	6200	14000	16
LWK3333/H28/A	InGaN	White	-	White Clear	3.5	4.0	9500	14000	22

B13, Derwent Court, William Way, Moss Industrial Estate, Leigh, Lancashire WN7 3PT

T +44 (0) 1942 671122 E [sales@plusopto.co.uk](mailto:sales@plusopto.co.uk) W [www.plusopto.co.uk](http://www.plusopto.co.uk)



Follow us on Twitter 